

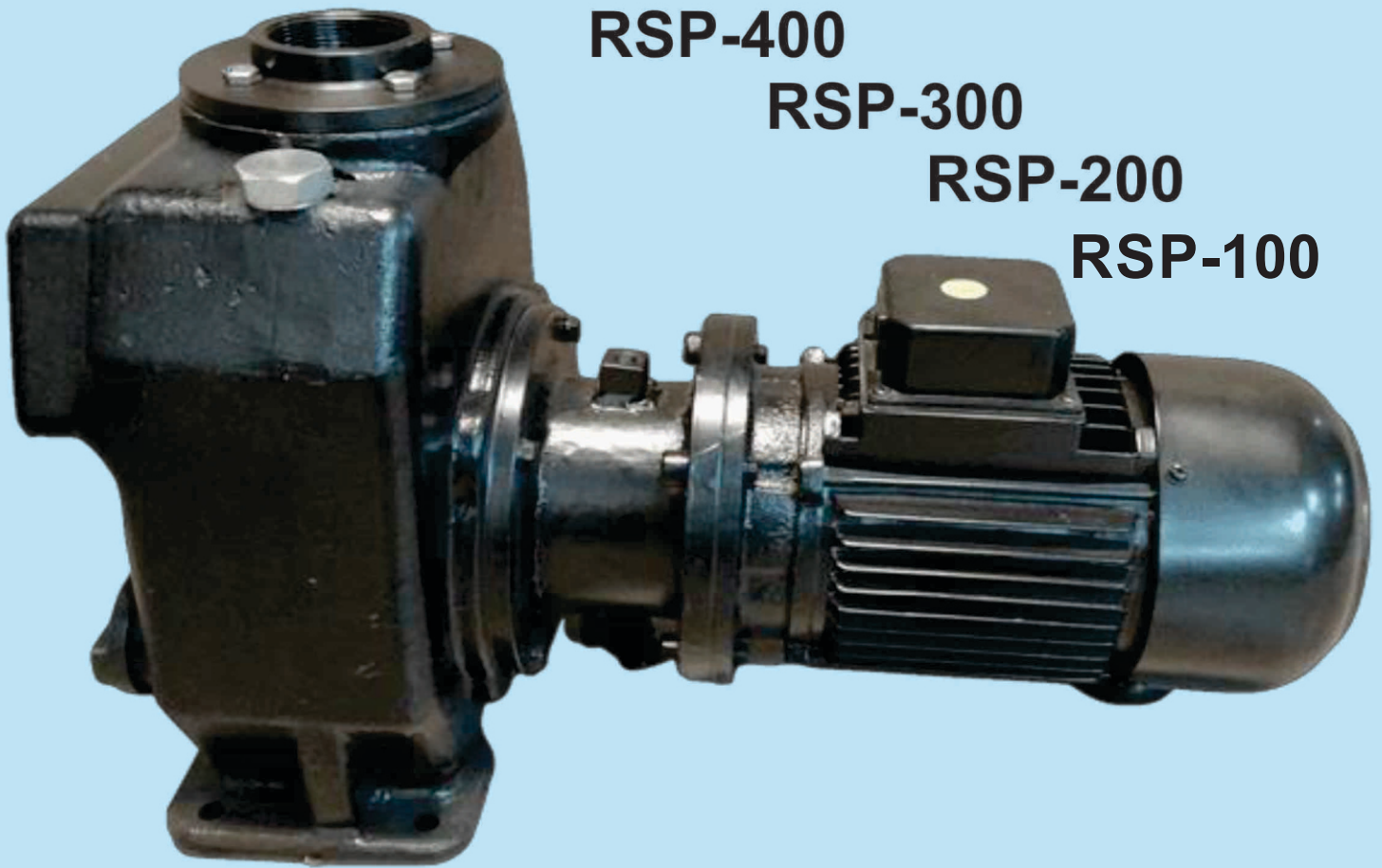
## Self Priming Pump RSP Series

**RSP-400**

**RSP-300**

**RSP-200**

**RSP-100**



### Application :

- Contamination Handling Pump (up to 2mm)
- Coolant Transfer Application
- Flushing Application
- High Flow & Medium Pressure(Refer Graph)
- Tank Cleaning / Emptying Tanks
- Painting Booths etc....

Manufacturer:

**Rajamane Industries Pvt. Ltd.,**

Whitefield Road, Mahadevapura Post,  
Bangalore - 560 048. India

Ph.: +91 80 4365 9000

E-mail: coolantpump@rajamane.com

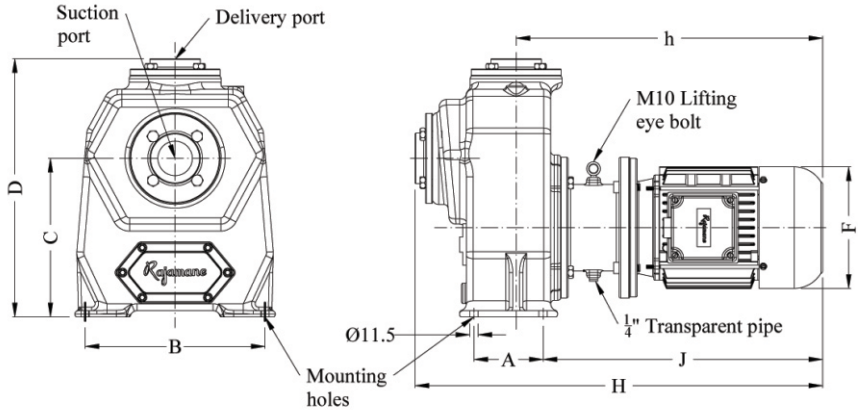
Web: www.rajamane.co

Dealer :

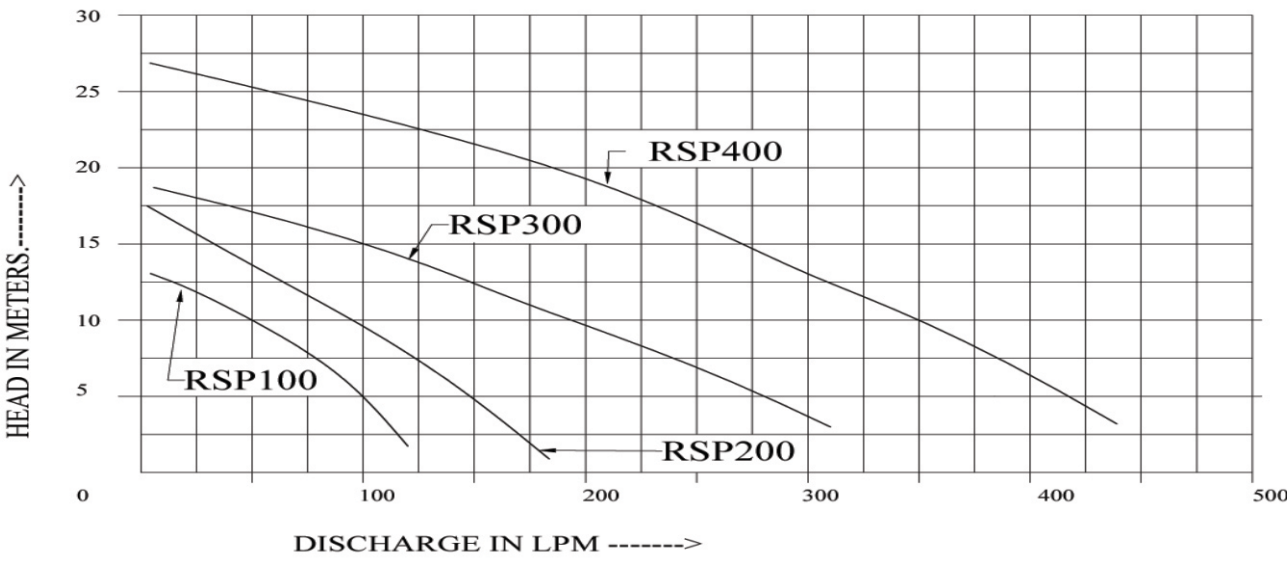
**Product of Proven Performance**



*Delivering Solutions*



MODEL	A	B	C	D	F	H	h	J	Suction port	Delivery port	MOTOR POWER
RSP100	102	205	179.5	308	Ø160	548	428	377	1½"	1"	0.75KW
RSP200	102	205	179.5	308	Ø160	548	428	377	1½"	1"	1.1KW
RSP300	100	260	230	375	Ø176	590	444	405	1½"	1½"	1.5KW
RSP400	100	260	230	375	Ø200	770	630	479	2"	1½"	2.25KW



- STANDARD SPARES: IMPELLER, MECHANICAL SEAL.

