

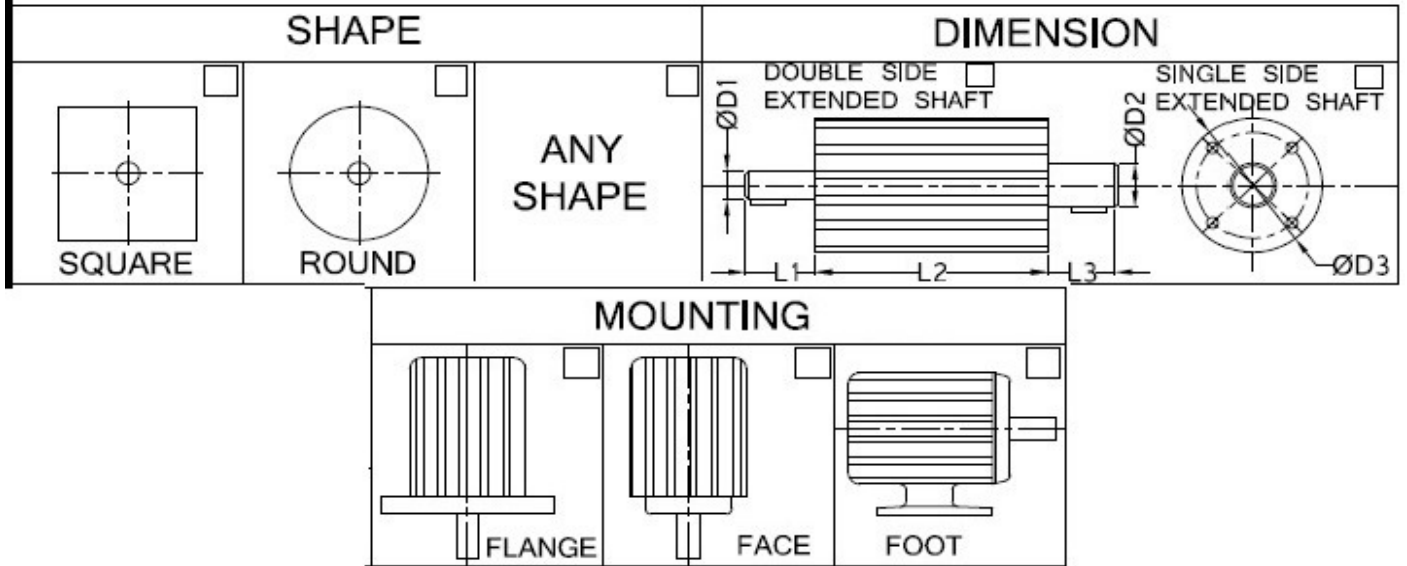
Customer Name: _____

Filled By:		Phone/Mobile No:	
------------	--	------------------	--

Please fill the following details in full. For any doubts, please call us.

*- marked information is a Must for the offer/ discussion.

#- Marked details are for 'or' / 'either' details, atleast one information is required.



Tick any one in each section in the above diag.

Mention Dimensions as per the above diag., below, ALL IN MM:

D1		L1		L2		L3		D2	D3
----	--	----	--	----	--	----	--	----	----

Electrical details:

- 1 **Supply Voltage*** V DC
- 2 **Power #** Watts
- 3 **RPM *** On No load _____
On Load From _____ To _____
- 4 **Torque # (rated)** Nm
- 5 **Controller required? ***

Application Details *:

If Yes,

Supply Input to the controller V DC
Main function/s expected from Controller To Drive/ To Vary RPM
Any Additional Inputs/Outputs for the Driver/Motor

Any Restrictions on motor dimensions

Qty. Per annum *:

Target Price:

If No,

What is the driver make & its details:

Any existing motor details? Photo preferred.

--	--