

New

CE  IE 2

RTA Series

For High Temperature Liquids - Water / Oil

Rajamane[®]

COOLANT PUMPS



In Technical Collaboration with



SALIENT FEATURES

All Bronze Body Pumps | Low Noise < 68 dB | IEC Frame Motors |
IE2 Efficiency Motors | Compact Size

Product of Proven Performance

CONSTRUCTION

Body AL.
Stem Bronze
Impeller Bronze
Impeller Cover Bronze
Shaft SS410
Bush Sint. Bronze

OPTIONS

Shaft S.S
SiC Bush Bearings for long Life

USED ON

For Temperature controlling units, spindle cooling systems, mould temperature controlling, CNC turning centres, drilling, chilling units and industrial washing machine, etc.

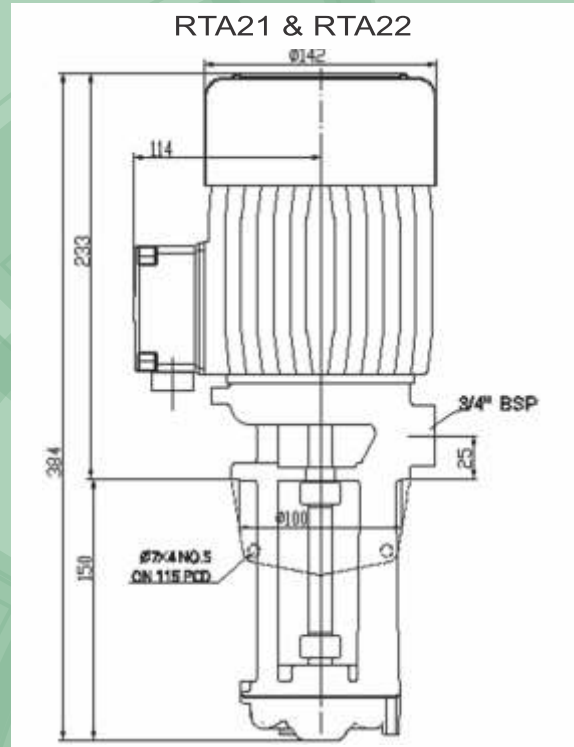
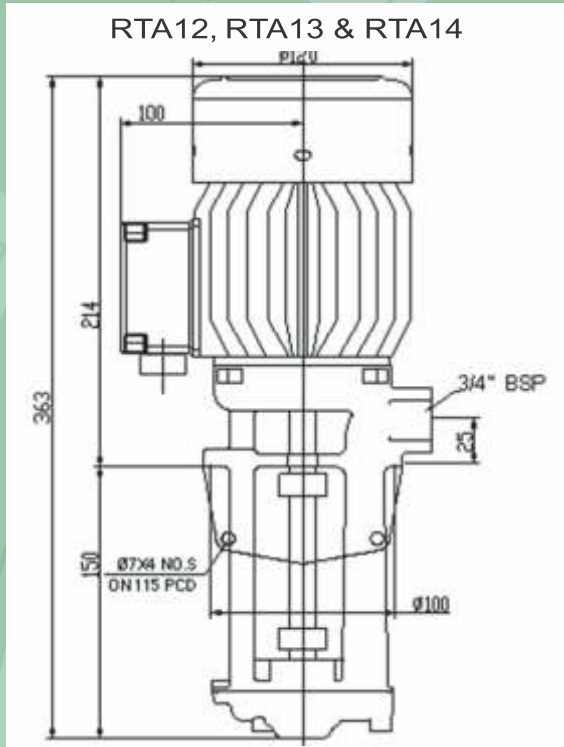
APPLICATION

Types of Fluids - Water
- Cooling Emulsions
- Cooling /Cutting Oils
Kinematical Viscosity - 90mm²/s
Pumping Temperature - 0 – 90°C

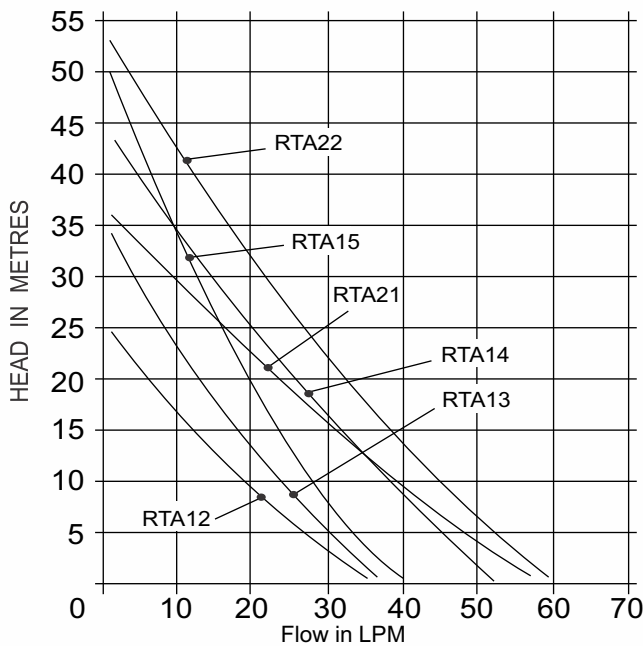
SPECIAL VERSIONS

To handle liquids upto 160°C

DIMENSIONAL DETAILS



PERFORMANCE GRAPH



Model	Power (in kw)	Weight (in kg.)
RTA12 / 150	0.37	11.5
RTA13 / 150	0.45	
RTA14 / 150	0.54	
RTA21 / 150	0.75	16.0
RTA22 / 150	0.90	

Motor fitted is suitable for 415 V.50Hz, S1 duty and RPM 2900. Other voltage / freq. motors also available

Standard Spares : Impeller, Bush & Sleeve

Manufacturer:

Rajamane Industries Pvt Ltd.,
Whitefield Road, Mahadevapura Post,
Bangalore 560 048 India
Ph: +91-80-43659000, Fax: +91-80-28524320
Email : coolantpump@rajamane.com
web: www.rajamane.com

Dealer:

